



362D28

Mist kit MA18

Spare parts

Ersatzteile

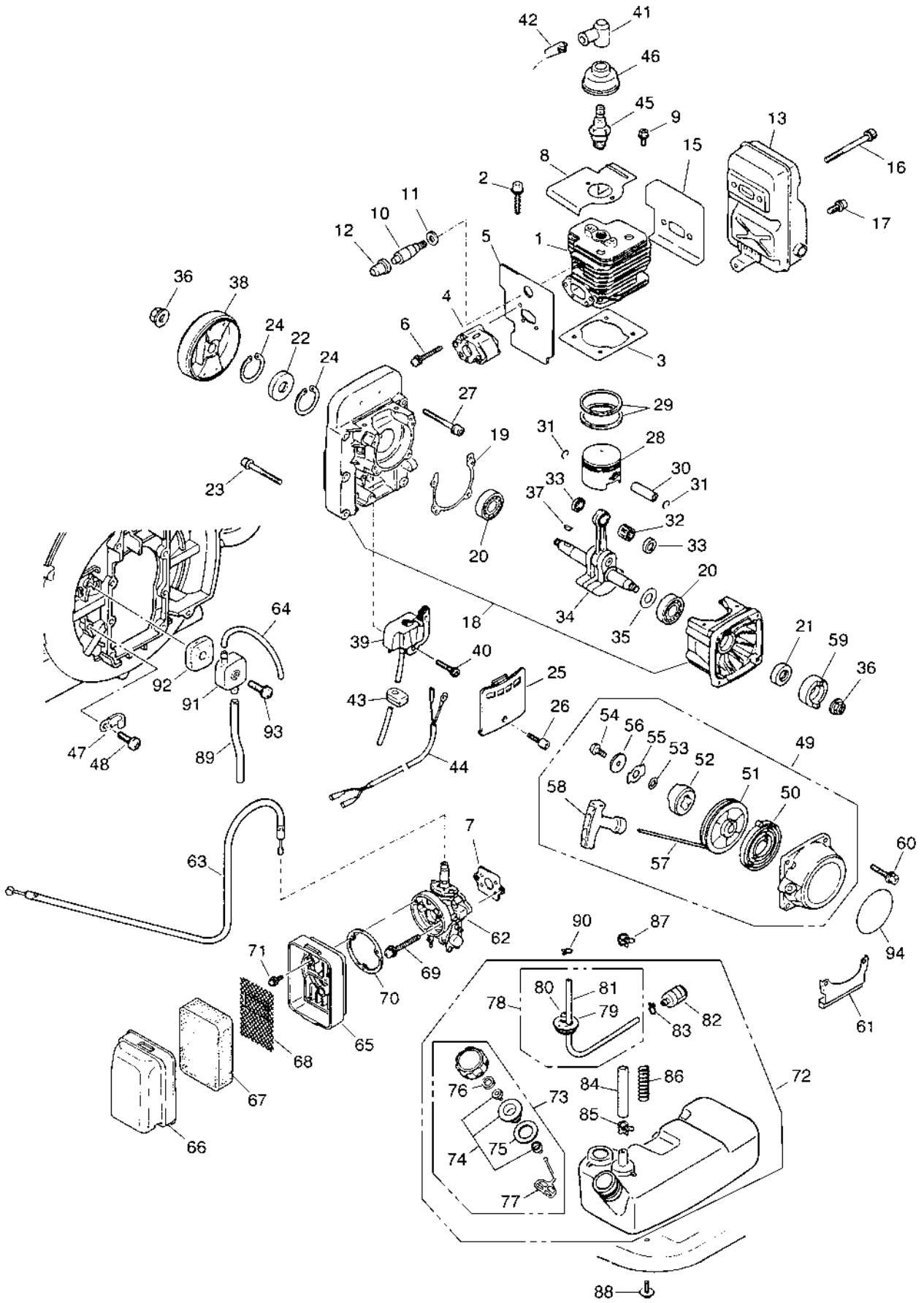
Pièces détachées

Reserve onderdelen

Repuestos

Reservdelar

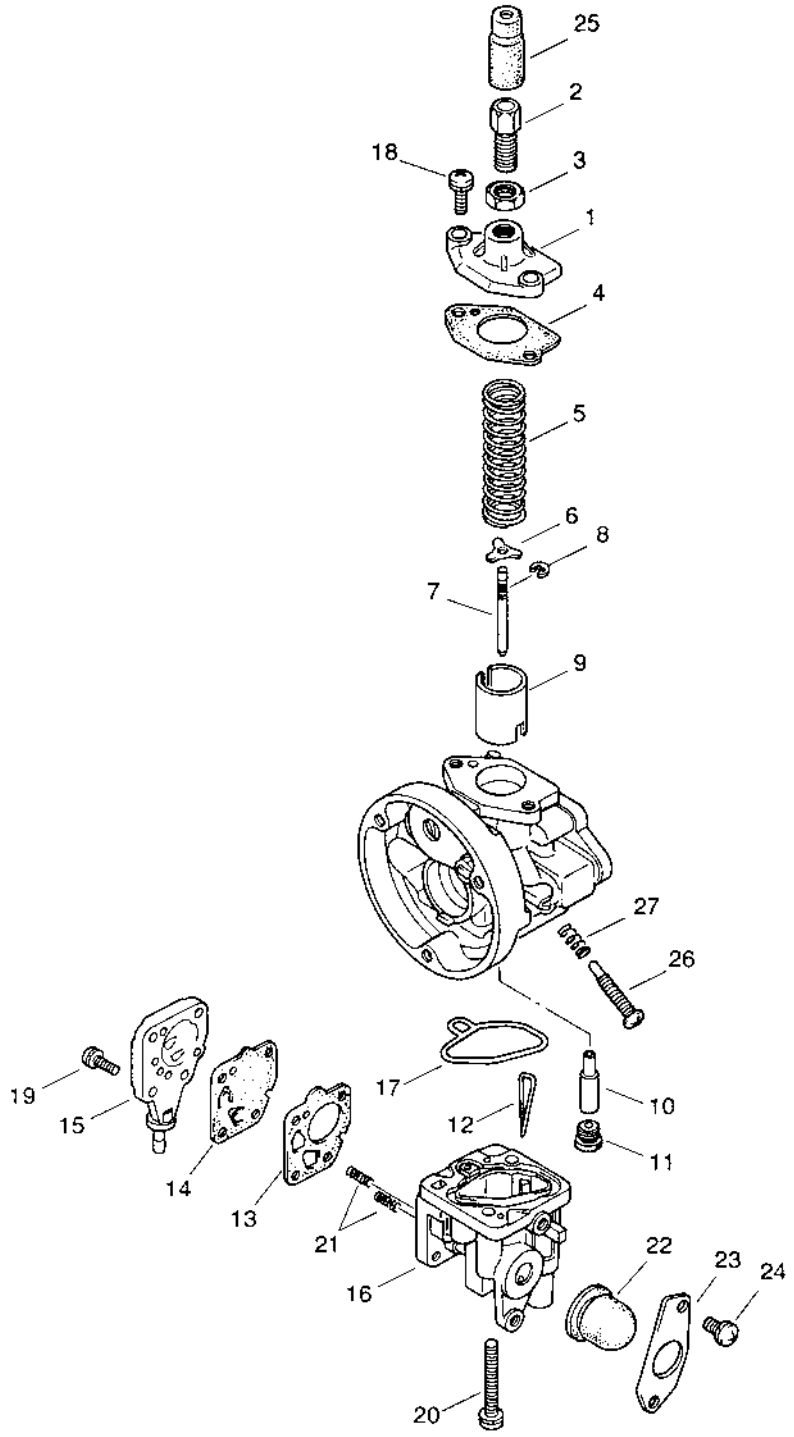
A 362D28
ENGINE GROUP



| Page A 362D28 | | ENGINE GROUP | | |
|---------------|--------------|--------------|-------|-----|
| Position | Article | Quantity | Notes | Kit |
| 1 | 516 88 06-01 | 1 | | |
| 2 | 516 86 48-01 | 4 | | |
| 3 | 516 86 51-01 | 1 | | |
| 4 | 516 88 09-01 | 1 | | |
| 5 | 516 88 07-01 | 1 | | |
| 6 | 516 11 37-01 | 2 | | |
| 7 | 516 88 08-01 | 1 | | |
| 8 | 516 86 53-01 | 1 | | |
| 9 | 516 86 54-01 | 2 | | |
| 10 | 516 68 35-01 | 1 | | |
| 11 | 516 62 87-01 | 1 | | |
| 12 | 516 88 13-01 | 1 | | |
| 13 | 521 67 27-01 | 1 | | |
| 15 | 516 86 66-01 | 1 | | |
| 16 | 516 86 61-01 | 2 | | |
| 17 | 516 86 64-01 | 1 | | |
| 18 | 521 63 37-01 | 1 | | |
| 19 | 516 86 77-01 | 1 | | |
| 20 | 521 52 12-01 | 2 | | |
| 21 | 521 84 01-01 | 1 | | |
| 22 | 521 52 18-01 | 1 | | |
| 23 | 516 07 11-01 | 4 | | |
| 24 | 544 25 87-01 | 2 | | |
| 25 | 516 86 84-01 | 1 | | |
| 26 | 516 37 71-01 | 1 | | |
| 27 | 516 86 85-01 | 6 | | |
| 28 | 516 87 59-01 | 1 | | |
| 29 | 521 09 82-01 | 2 | | |
| 30 | 521 09 83-01 | 1 | | |
| 31 | 521 05 72-01 | 2 | | |
| 32 | 516 84 99-01 | 1 | | |
| 33 | 516 74 17-01 | 2 | | |
| 34 | 521 63 39-01 | 1 | | |
| 35 | 516 28 31-01 | 1 | | |
| 36 | 516 31 39-01 | 2 | | |
| 37 | 516 14 78-01 | 1 | | |
| 38 | 516 87 70-01 | 1 | | |
| 39 | 516 87 71-01 | 1 | | |
| 40 | 516 87 76-01 | 2 | | |
| 41 | 516 61 02-01 | 1 | | |
| 42 | 516 61 03-01 | 1 | | |
| 43 | 521 35 88-01 | 1 | | |
| 44 | 516 87 83-01 | 1 | | |
| 45 | 521 39 77-01 | 1 | | |
| 46 | 516 89 16-01 | 1 | | |
| 47 | 521 52 51-01 | 1 | | |
| 48 | 521 11 41-01 | 1 | | |
| 49 | 521 84 31-01 | 1 | | |
| 50 | 516 23 11-01 | 1 | | |
| 51 | 521 84 32-01 | 1 | | |
| 52 | 521 84 33-01 | 1 | | |
| 53 | 516 54 98-01 | 1 | | |
| 54 | 502 84 38-01 | 1 | | |
| 55 | 504 55 49-01 | 1 | | |
| 56 | 502 84 37-01 | 1 | | |
| 57 | 502 84 35-01 | 1 | | |
| 58 | 502 84 32-01 | 1 | | |
| 59 | 516 34 89-01 | 1 | | |
| 60 | 521 13 28-01 | 4 | | |

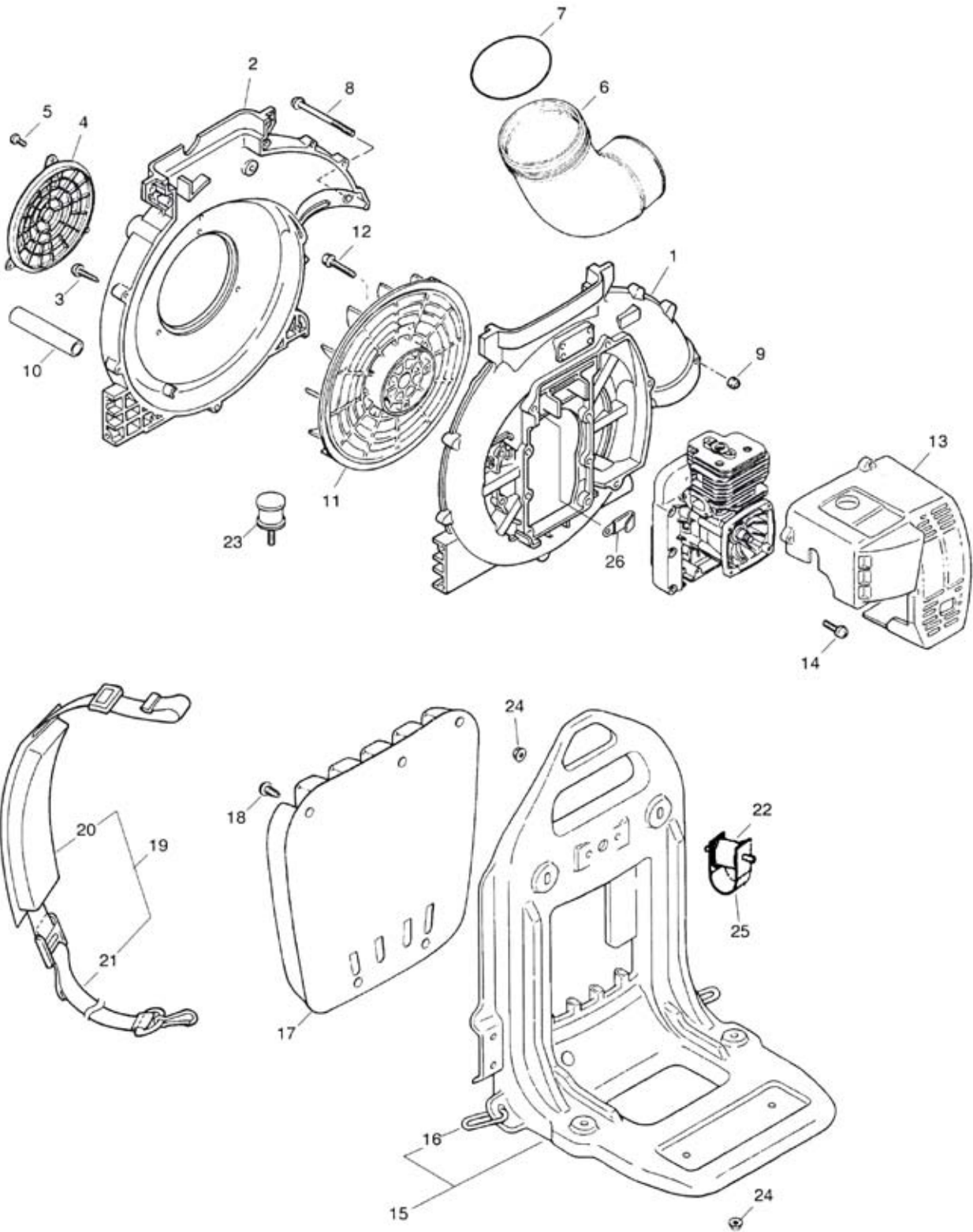
| Position | Article | Quantity | Notes | Kit |
|----------|--------------|----------|-------|-----|
| 61 | 516 89 48-01 | 1 | | |
| 62 | 516 89 18-01 | 1 | | |
| 63 | 516 89 39-01 | 1 | | |
| 64 | 516 61 41-01 | 1 | | |
| 65 | 516 89 35-01 | 1 | | |
| 66 | 573 93 45-01 | 1 | | |
| 67 | 516 36 13-01 | 1 | | |
| 68 | 516 36 16-01 | 1 | | |
| 69 | 516 11 43-01 | 2 | | |
| 70 | 516 89 38-01 | 1 | | |
| 71 | 516 89 37-01 | 3 | | |
| 72 | 528 92 92-01 | 1 | | |
| 73 | 521 67 24-01 | 1 | | |
| 74 | 506 61 54-01 | 1 | | |
| 75 | 506 61 53-01 | 1 | | |
| 76 | 506 61 72-01 | 1 | | |
| 77 | 504 11 79-01 | 1 | | |
| 78 | 516 89 43-01 | 1 | | |
| 79 | 521 36 25-01 | 1 | | |
| 80 | 516 89 44-01 | 1 | | |
| 81 | 516 53 17-01 | 1 | | |
| 82 | 520 95 35-01 | 1 | | |
| 83 | 516 26 21-01 | 1 | | |
| 84 | 510 92 01-01 | 1 | | |
| 85 | 516 32 86-01 | 1 | | |
| 86 | 516 89 47-01 | 1 | | |
| 87 | 516 32 86-01 | 1 | | |
| 88 | 521 14 56-01 | 2 | | |
| 89 | 516 14 68-01 | 1 | | |
| 90 | 516 17 82-01 | 1 | | |
| 91 | 516 89 45-01 | 1 | | |
| 92 | 516 89 46-01 | 1 | | |
| 93 | 516 88 16-01 | 1 | | |
| 94 | 573 93 48-01 | 1 | | |

B 362D28
CARBURETOR



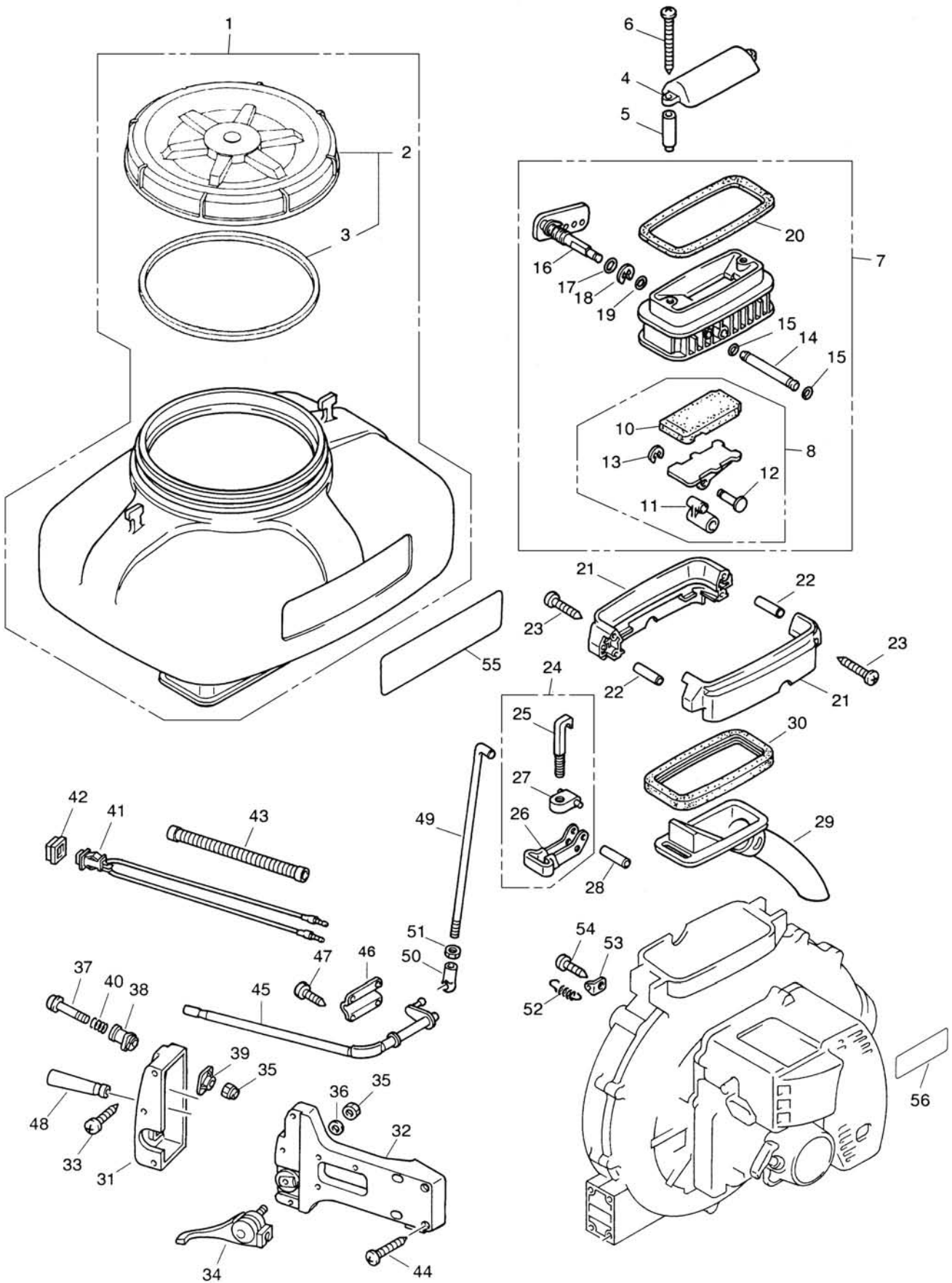
| Page B | | 362D28 | CARBURETOR | | |
|-----------------|----------------|-----------------|-------------------|------------|--|
| Position | Article | Quantity | Notes | Kit | |
| 1 | 516 89 22-01 | 1 | | | |
| 2 | 516 89 19-01 | 1 | | | |
| 3 | 516 89 29-01 | 1 | | | |
| 4 | 516 89 23-01 | 1 | | | |
| 5 | 516 89 20-01 | 1 | | | |
| 6 | 516 89 21-01 | 1 | | | |
| 7 | 516 89 26-01 | 1 | | | |
| 8 | 516 18 21-01 | 1 | | | |
| 9 | 516 89 24-01 | 1 | | | |
| 10 | 516 89 25-01 | 1 | | | |
| 11 | 516 89 27-01 | 1 | | | |
| 12 | 516 89 32-01 | 1 | | | |
| 13 | 516 33 30-01 | 1 | | | |
| 14 | 516 65 40-01 | 1 | | | |
| 15 | 516 65 41-01 | 1 | | | |
| 16 | 516 89 30-01 | 1 | | | |
| 17 | 516 89 31-01 | 1 | | | |
| 18 | 516 10 78-01 | 2 | | | |
| 19 | 516 09 67-01 | 4 | | | |
| 20 | 516 10 80-01 | 2 | | | |
| 21 | 516 89 34-01 | 2 | | | |
| 22 | 516 65 42-01 | 1 | | | |
| 23 | 516 89 33-01 | 1 | | | |
| 24 | 516 65 43-01 | 2 | | | |
| 25 | 521 11 85-01 | 1 | | | |
| 26 | 516 89 28-01 | 1 | | | |
| 27 | 516 15 19-01 | 1 | | | |

C 362D28
BLOWER GROUP



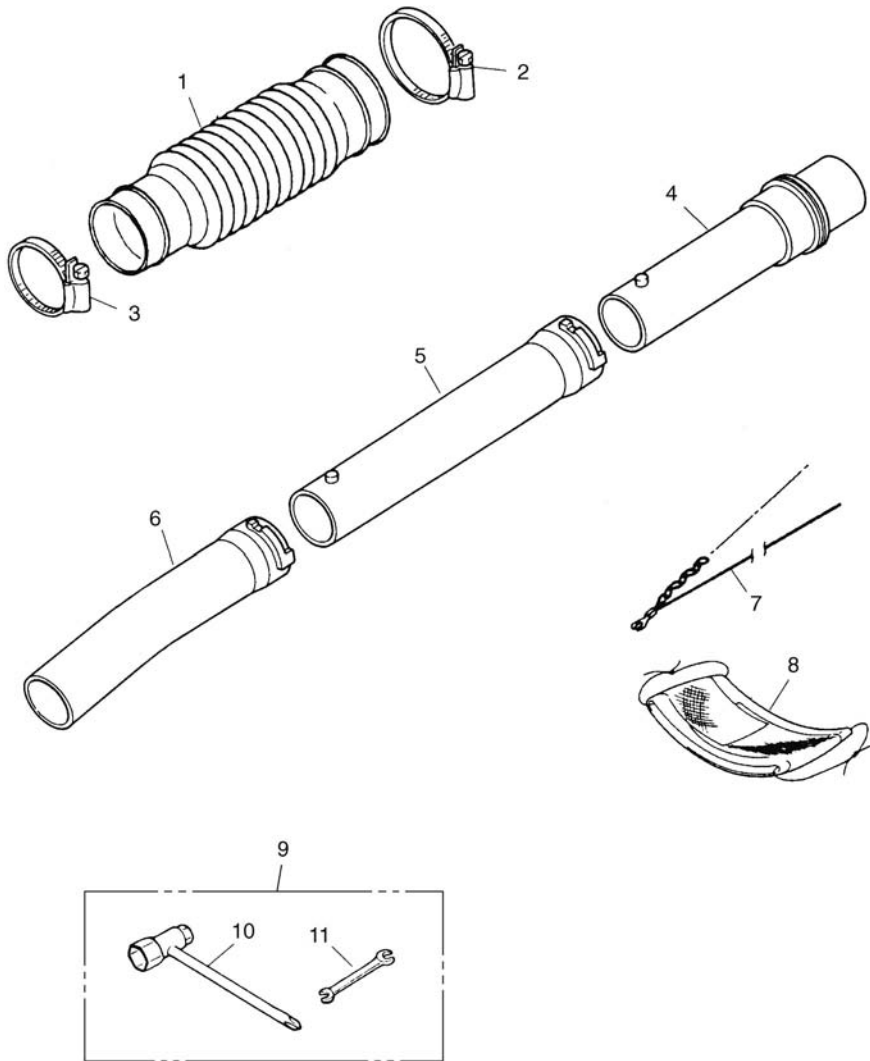
| Position | Article | Quantity | Notes | Kit |
|----------|--------------|----------|-------|-----|
| 1 | 574 34 40-01 | 1 | | |
| 2 | 529 28 68-01 | 1 | | |
| 3 | 516 88 16-01 | 12 | | |
| 4 | 520 81 05-01 | 1 | | |
| 5 | 521 13 83-01 | 3 | | |
| 6 | 516 88 19-01 | 1 | | |
| 7 | 516 13 54-01 | 1 | | |
| 8 | 516 88 20-01 | 2 | | |
| 9 | 521 13 70-01 | 2 | | |
| 10 | 516 86 98-01 | 1 | | |
| 11 | 516 87 09-01 | 1 | | |
| 12 | 521 11 49-01 | 4 | | |
| 13 | 573 93 16-01 | 1 | | |
| 14 | 516 88 16-01 | 4 | | |
| 15 | 573 93 18-01 | 1 | | |
| 16 | 521 14 28-01 | 2 | | |
| 17 | 573 97 20-01 | 1 | | |
| 18 | 526 47 67-01 | 4 | | |
| 19 | 516 88 42-01 | 2 | | |
| 20 | 516 88 43-01 | 1 | | |
| 21 | 511 74 33-01 | 1 | | |
| 22 | 516 88 45-01 | 2 | | |
| 23 | 516 88 48-01 | 2 | | |
| 24 | 516 88 49-01 | 4 | | |
| 25 | 511 96 73-01 | 2 | | |
| 26 | 516 87 82-01 | 1 | | |

D 362D28
SPRAY GROUP



| Position | Article | Quantity | Notes | Kit |
|----------|--------------|----------|-------|-----|
| 1 | 573 93 28-01 | 1 | | |
| 2 | 529 31 22-01 | 1 | | |
| 3 | 521 12 97-01 | 1 | | |
| 4 | 516 88 68-01 | 1 | | |
| 5 | 516 88 69-01 | 2 | | |
| 6 | 516 88 72-01 | 2 | | |
| 7 | 516 88 52-01 | 1 | | |
| 8 | 516 88 55-01 | 1 | | |
| 10 | 516 88 58-01 | 1 | | |
| 11 | 516 88 59-01 | 1 | | |
| 12 | 521 12 40-01 | 1 | | |
| 13 | 521 11 70-01 | 1 | | |
| 14 | 516 88 64-01 | 1 | | |
| 15 | 516 13 59-01 | 2 | | |
| 16 | 516 88 67-01 | 1 | | |
| 17 | 516 13 63-01 | 1 | | |
| 18 | 521 12 44-01 | 1 | | |
| 19 | 516 13 60-01 | 1 | | |
| 20 | 516 88 53-01 | 1 | | |
| 21 | 573 93 29-01 | 2 | | |
| 22 | 516 89 04-01 | 2 | | |
| 23 | 516 89 05-01 | 4 | | |
| 24 | 516 88 24-01 | 2 | | |
| 25 | 516 88 25-01 | 1 | | |
| 26 | 516 88 26-01 | 1 | | |
| 27 | 516 88 28-01 | 1 | | |
| 28 | 516 89 04-01 | 2 | | |
| 29 | 516 88 74-01 | 1 | | |
| 30 | 516 88 78-01 | 1 | | |
| 31 | 573 93 25-01 | 1 | | |
| 32 | 516 88 81-01 | 1 | | |
| 33 | 521 13 83-01 | 3 | | |
| 34 | 521 14 75-01 | 1 | | |
| 35 | 521 13 70-01 | 2 | | |
| 36 | 544 27 65-01 | 1 | | |
| 37 | 516 88 82-01 | 1 | | |
| 38 | 516 88 84-01 | 1 | | |
| 39 | 516 88 85-01 | 1 | | |
| 40 | 516 88 86-01 | 1 | | |
| 41 | 521 14 84-01 | 1 | | |
| 42 | 516 40 51-01 | 1 | | |
| 43 | 513 68 16-01 | 1 | | |
| 44 | 516 89 05-01 | 1 | | |
| 45 | 516 88 88-01 | 1 | | |
| 46 | 516 88 89-01 | 1 | | |
| 47 | 521 13 83-01 | 4 | | |
| 48 | 516 88 91-01 | 1 | | |
| 49 | 516 88 92-01 | 1 | | |
| 50 | 520 81 27-01 | 1 | | |
| 51 | 516 11 72-01 | 1 | | |
| 52 | 516 88 93-01 | 1 | | |
| 53 | 516 88 94-01 | 1 | | |
| 54 | 516 88 95-01 | 1 | | |
| 55 | 573 93 36-01 | 1 | | |
| 56 | 574 21 74-01 | 1 | | |

E 362D28
SPRAY EQUIPMENT, TOOLS

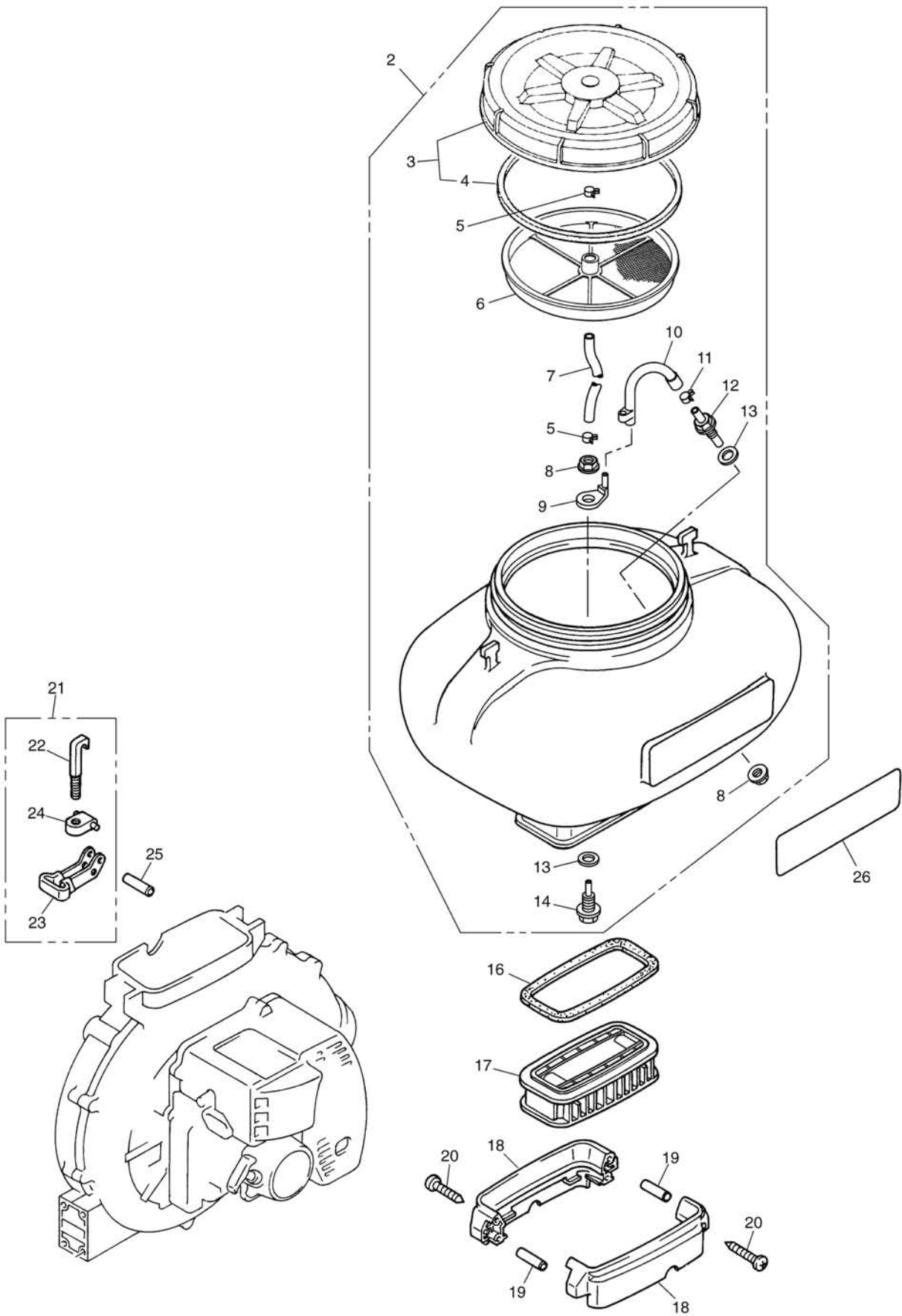


SPRAY EQUIPMENT, TOOLS

| Position | Article | Quantity | Notes | Kit |
|-----------------|----------------|-----------------|--------------|------------|
| 1 | 521 14 59-01 | 1 | | |
| 2 | 516 89 08-01 | 1 | | |
| 3 | 516 89 09-01 | 1 | | |
| 4 | 521 14 88-01 | 1 | | |
| 5 | 521 14 89-01 | 2 | | |
| 6 | 521 14 90-01 | 1 | | |
| 7 | 520 82 21-01 | 1 | | |
| 8 | 520 82 85-01 | 1 | | |
| 9 | 516 89 49-01 | 1 | | |
| 10 | 520 82 79-01 | 1 | | |
| 11 | 514 36 38-01 | 1 | | |

F1 362D28
ACCESSORIES MA18

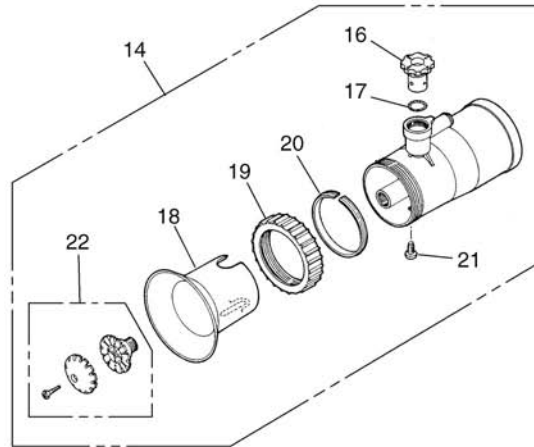
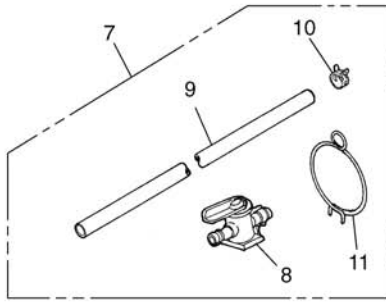
1



| Position | Article | Quantity | Notes | Kit |
|----------|--------------|----------|-------------------|-----|
| 1 | 574 87 65-01 | 1 | MISTKIT MA18 ASSY | |
| 2 | 573 94 62-01 | 1 | | |
| 3 | 529 31 22-01 | 1 | | |
| 4 | 521 12 97-01 | 1 | | |
| 5 | 520 81 34-01 | 2 | | |
| 6 | 521 13 21-01 | 1 | | |
| 7 | 521 13 20-01 | 1 | | |
| 8 | 521 84 37-01 | 2 | | |
| 9 | 521 84 39-01 | 1 | | |
| 10 | 520 81 69-01 | 1 | | |
| 11 | 516 29 07-01 | 1 | | |
| 12 | 521 84 40-01 | 1 | | |
| 13 | 521 84 38-01 | 2 | | |
| 14 | 521 84 36-01 | 1 | | |
| 16 | 516 88 53-01 | 1 | | |
| 17 | 521 84 34-01 | 1 | | |
| 18 | 573 93 29-01 | 2 | | |
| 19 | 516 89 04-01 | 2 | | |
| 20 | 516 89 05-01 | 4 | | |
| 21 | 516 88 24-01 | 2 | | |
| 22 | 516 88 25-01 | 1 | | |
| 23 | 516 88 26-01 | 1 | | |
| 24 | 516 88 28-01 | 1 | | |
| 25 | 516 89 04-01 | 2 | | |
| 26 | 573 93 36-01 | 1 | | |

F2 362M18
ACCESSORIES MA18

1



| Position | Article | Quantity | Notes | Kit |
|----------|--------------|----------|-------------------|-----|
| 1 | 574 87 65-01 | 1 | MISTKIT MA18 ASSY | |
| 7 | 520 82 20-01 | 1 | | |
| 9 | 520 78 43-01 | 2 | | |
| 10 | 516 29 07-01 | 3 | | |
| 11 | 520 78 44-01 | 1 | | |
| 14 | 521 13 09-01 | 1 | | |
| 16 | 521 13 11-01 | 1 | | |
| 17 | 516 13 47-01 | 1 | | |
| 18 | 521 13 12-01 | 1 | | |
| 19 | 521 13 13-01 | 1 | | |
| 20 | 521 13 14-01 | 1 | | |
| 21 | 516 10 59-01 | 1 | | |
| 22 | 521 13 15-01 | 1 | | |