

R152SVH

Spare parts

Ersatzteile

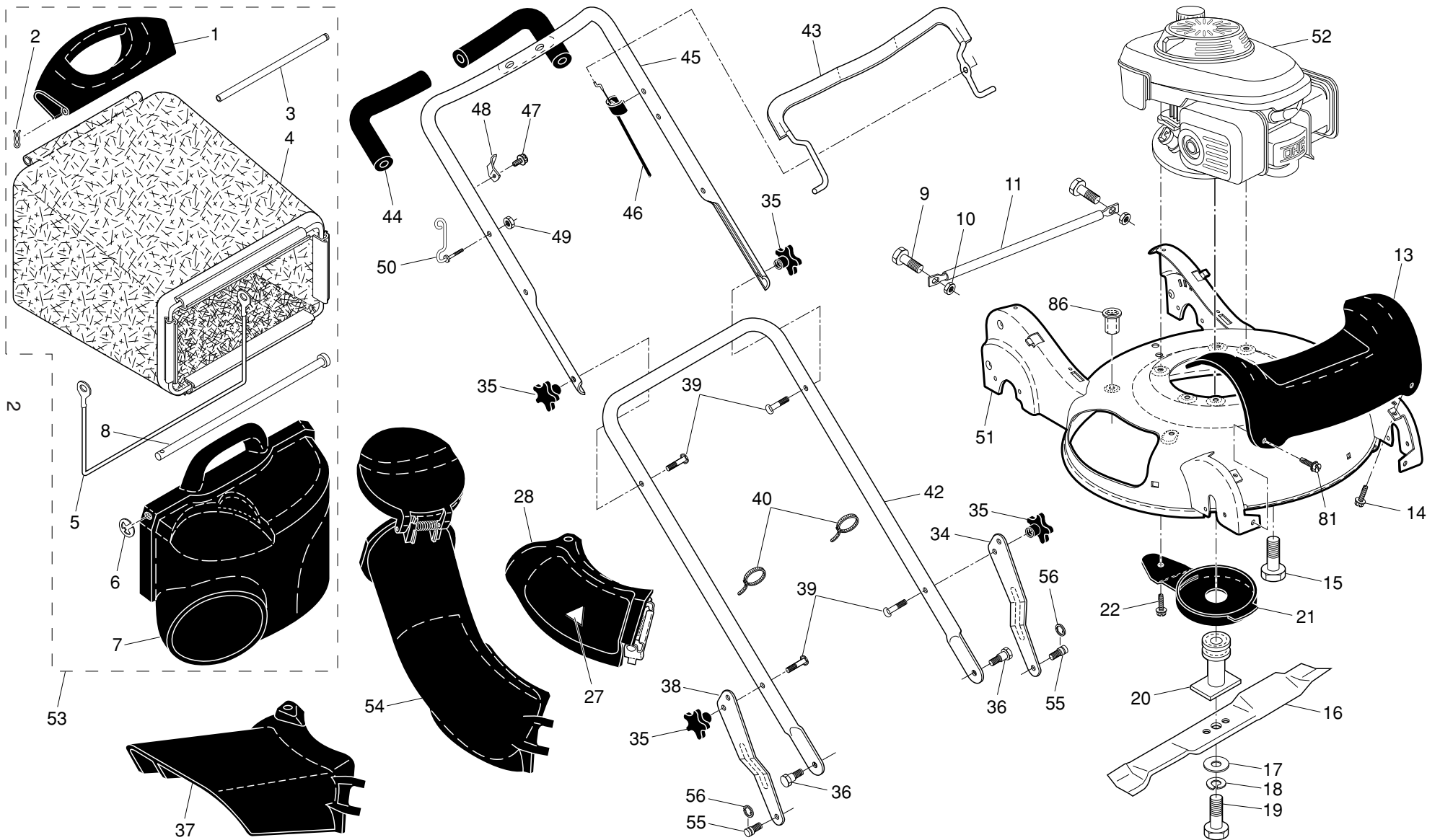
Pièces détachées

Reserve onderdelen

Repuestos

Reservdelar

ROTARY LAWN MOWER - - MODEL NUMBER R 152SVH (96141013306) PRODUCT NUMBER 961 41 01-33

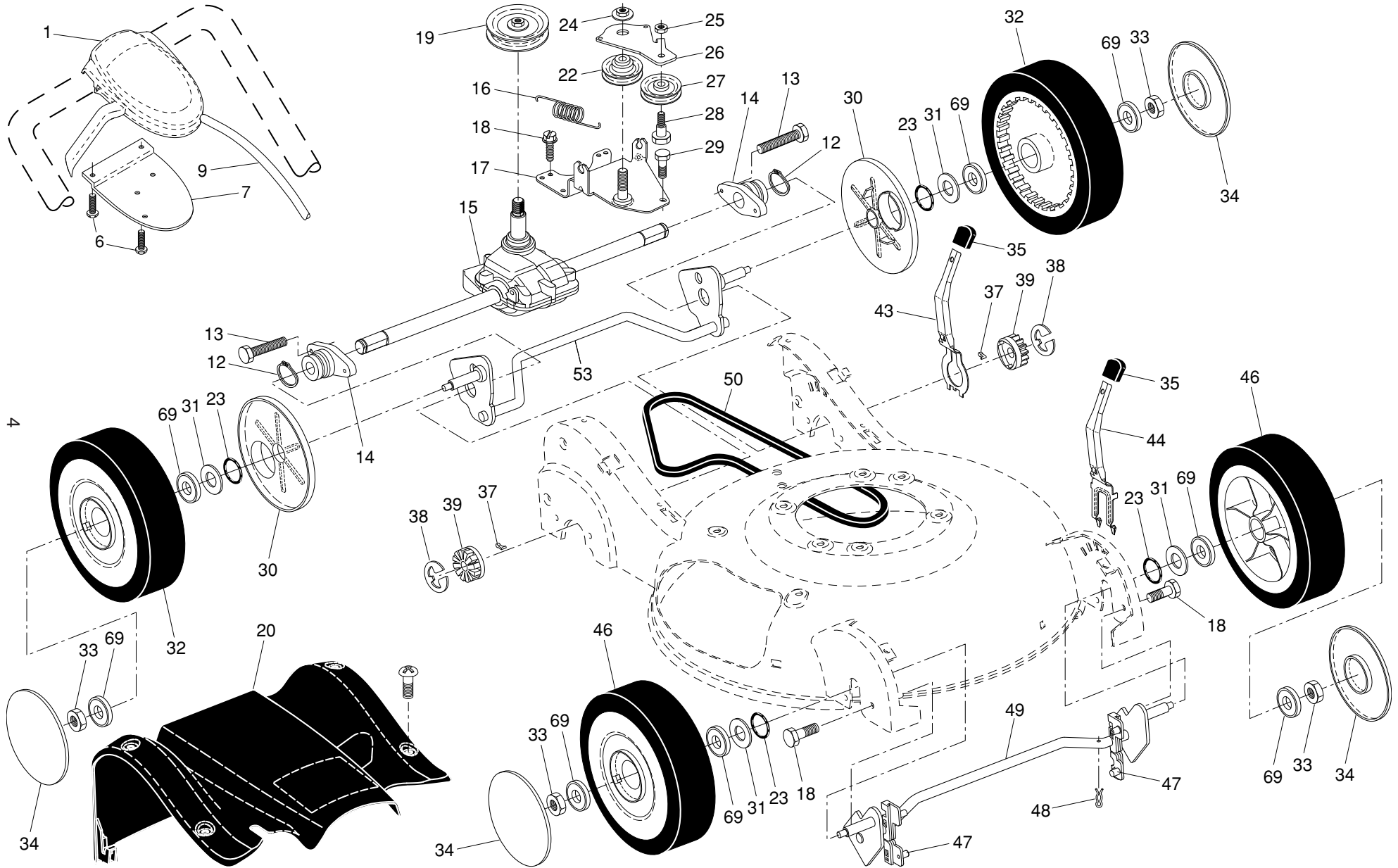


ROTARY LAWN MOWER - - MODEL NUMBER R 152SVH (96141013306) PRODUCT NUMBER 961 41 01-33

KEY NO.	PART NO.	DESCRIPTION	KEY NO.	PART NO.	DESCRIPTION
1	532 19 05-82	Handle, Grassbag, Rear	37	532 43 34-20	Discharge Deflector Assembly
2	532 06 53-22	Hairpin Cotter	38	532 19 06-21	Adjustment Bracket, Lower Handle, RH
3	532 18 34-83	Rod, Rear Handle, Grassbag	39	532 19 15-74	Bolt, Handle
4	532 40 18-98	Grassbag	40	532 06 64-26	Wire Tie
5	532 18 85-06	Frame, Grassbag	42	532 18 70-96	Handle Assembly, Lower
6	812 00 00-14	E-Ring	43	532 42 68-12	Bail, Control
7	532 19 05-81	Door, Grassbag	44	532 18 27-48	Grip, Foam
8	532 18 34-79	Rod, Pivot	45	532 18 62-96	Handle Assembly, Upper (Includes Foam Grip)
9	872 14 04-05	Bolt	46	532 42 74-97	Cable, Engine Zone Control
10	873 80 04-00	Nut, Hex, Nylock 1/4-20	47	532 75 06-34	Screw
11	532 19 06-92	Tube, Rear Skirt	48	532 43 00-34	Bracket, Upstop
13	532 41 49-58	Cover, Front	49	532 13 20-04	Nut, Hex
14	532 19 94-22	Screw, Hex Washer Head	50	532 18 85-01	Rope Guide
15	532 15 04-06	Bolt, Engine Mounting	51	532 43 33-66	Kit, Lawn Mower Housing Assembly
16	532 41 50-76	Blade, 21"	52	- - -	Engine, Honda, Model Number GCV160-AS3H2 (Order parts from Engine Manufacturer)
17	532 85 10-74	Washer, Hardened	53	532 40 18-96	Grassbag Assembly, Complete
18	532 85 02-63	Washer, Lock	54	532 43 33-59	Discharge Chute Assembly
19	532 19 17-60	Bolt, Hex Head, Grade 8 3/8-24	55	532 19 41-92	Stud, Shoulder, T45
20	532 18 67-66	Adapter, Blade	56	812 00 00-58	E-Ring, T45
21	532 19 05-16	Debris Shield	81	532 19 41-89	Screw, Hi-Lo Thread #13-16 x 5/8
22	817 60 04-06	Screw, Hex Head, Serrated	86	532 43 22-34	Nut, Insert
27	532 18 21-66	Decal, Danger	--	532 43 46-72	Operator's Manual, European
28	532 43 33-68	Mulcher Door Assembly	--	532 43 46-73	Operator's Manual, Scandinavian
34	532 19 06-19	Adjustment Bracket, Lower Handle, LH	--	532 43 46-74	Operator's Manual, East Bloc
35	532 18 23-98	Knob, Star	--	532 43 46-75	Operator's Manual, Baltic
36	532 19 41-87	Bolt, Shoulder	--		

NOTE: All component dimensions given in U.S. inches. 1 inch = 25.4 mm. **IMPORTANT:** Use only Original Equipment Manufacturer (O.E.M.) replacement parts. Failure to do so could be hazardous, damage your lawn mower and void your warranty.

ROTARY LAWN MOWER - - MODEL NUMBER R 152SVH (96141013306) PRODUCT NUMBER 961 41 01-33



ROTARY LAWN MOWER - - MODEL NUMBER R 152SVH (96141013306) PRODUCT NUMBER 961 41 01-33

KEY NO.	PART NO.	DESCRIPTION	KEY NO.	PART NO.	DESCRIPTION
1	532 42 56-65	Drive Control Assembly (Includes Cable)	27	532 16 60-43	Pulley
6	532 18 16-98	Screw, Torx Head #8-5/8	28	532 16 08-29	Bolt, Hex Head, Shoulder
7	532 40 07-23	Bracket, Mounting, Drive Control	29	817 06 04-10	Screw 1/4-20 x 1/16
9	532 19 70-11	Cable, Drive Control	30	532 18 34-57	Cover, Dust, Wheel
12	812 00 00-12	Ring, Retaining	31	532 08 83-48	Washer, Flat 3/8
13	532 19 41-86	Screw	32	532 19 26-22	Wheel Assembly, Rear 9 x 2-1/4
14	532 40 80-27	Bearing / Axle Support	33	532 40 91-48	Nut, Hex
15	532 41 92-11	Gear Case Assembly, Complete	34	532 18 34-42	Hubcap
16	532 40 65-58	Spring, Return	35	532 42 52-42	Knob
17	532 40 80-05	Bracket, Gear Case / Drive Pulley	37	532 40 48-45	Pawl, Drive
18	532 16 34-09	Screw	38	812 00 00-58	E-Ring
19	532 19 40-18	Pulley, Drive	39	532 40 38-49	Pinion
20	532 43 26-77	Drive Cover Assembly (Includes Mounting Screw and Pushnut)	43	532 19 05-20	Lever, Selector, Wheel Height, Rear
22	532 19 37-91	Pulley Assembly, V-Groove	44	532 19 05-18	Lever, Selector, Wheel Height, Front
23	532 19 74-80	O-Ring	46	532 19 22-32	Wheel Assembly, Front 9 x 2-1/4
24	532 40 91-49	Nut, Hex, Flangelock	47	532 18 34-38	Bushing, Front Axle
25	873 93 05-00	Nut, Hex, Lock	48	532 16 96-75	Retainer, Hairpin Cotter
26	532 41 67-36	Idler Arm	49	532 19 64-69	Torque Shaft Assembly, Front
			50	532 40 80-31	Belt, Drive
			53	532 41 67-40	Rear Axle Assembly
			69	532 75 10-68	Bearing, Ball (Wheel)

NOTE: All component dimensions given in U.S. inches. 1 inch = 25.4 mm. **IMPORTANT:** Use only Original Equipment Manufacturer (O.E.M.) replacement parts. Failure to do so could be hazardous, damage your lawn mower and void your warranty.